

# PPC-N153

15" Fanless Aluminum IP66 Protection Touch Panel PC with Intel® Pentium® N4200/ Celeron® N3350 Processor



## Features

- 15" TFT XGA LED Panel with Projected Capacitive/Resistive Touch Display
- Embedded Intel® Pentium® N4200/ Celeron® N3350
- System Memory up to 8 GB DDR3L 1866 SDRAM
- Supports Aluminum Front Cover IP66 Protection Internal
- SATA 2.5" SSD and M.2 Socket
- Panel and VESA Mounting

## Applications

- Human Machine Interface (HMI)
- Factory / Manufacturing Automation
- ATM / Self-service / Kiosk Applications
- Vending Machine / Ticketing Machine

## → Packing List

Description
1 x PPC-N153
1 x Power Adapter & Power Cord
10 x Panel Mounting Screws

## → Optional Items

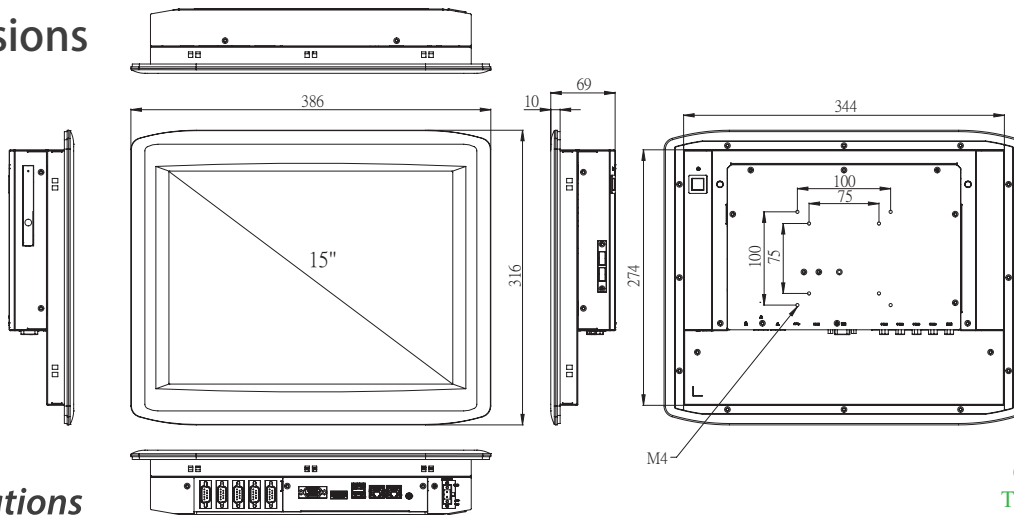
Part No.	Description
AWD-3G002	3G (HSPA+) Module + 1 Antenna, Full-size
AWD-4G001	4G (LTE) Module + 2 Antennas, Full-size
AWD-WF001	Wi-Fi 802.11 bgn (1T1R) + 1 Antenna (Single band), Half-size
AWD-WF003	Wi-Fi 802.11 abgn/ac/BT4.0 (2T2R) Module + 2 Antennas (Dual band), Half-size
AWD-WF004	Wi-Fi 802.11 b/g/n + BT4.0(1T1R) + 2 Antenna(Single band), M.2 2230 Type
AWD-WF005	Wi-Fi 802.11 a/b/g/n/ac/BT4.0 (2T2R) + 2 Antenna(Dual band), M.2 2230 type

## → Ordering Information

Part No.	Description
PPC-N153P-1A1	15" Fanless P-Cap Touch Panel PC with Intel® Pentium® N4200, 2 DDR3L, 2 GbE, 2 USB 3.0, 2 USB 2.0, 3 RS-232, 1 RS-232/422/485, 8bits GPIO, line out, mic in, 1 VGA, 1 HDMI, DC 9~36V, Phoenix Connector
PPC-N153P-2A1	15" Fanless P-Cap Touch Panel PC with Intel® Celeron® N3350, 2 DDR3L, 2 GbE, 2 USB 3.0, 2 USB 2.0, 3 RS-232, 1 RS-232/422/485, 8bits GPIO, line out, mic in, 1 VGA, 1 HDMI, DC 9~36V, Phoenix Connector
PPC-N153R-1A1	15" Fanless 5-wire Resistive Touch Panel PC with Intel® Pentium® N4200, 2 DDR3L, 2 GbE, 2 USB 3.0, 2 USB 2.0, 3 RS-232, 1 RS-232/422/485, 8bits GPIO, line out, mic in, 1 VGA, 1 HDMI, DC 9~36V, Phoenix Connector
PPC-N153R-2A1	15" Fanless 5-wire Resistive Touch Panel PC with Intel® Celeron® N3350, 2 DDR3L, 2 GbE, 2 USB 3.0, 2 USB 2.0, 3 RS-232, 1 RS-232/422/485, 8bits GPIO, line out, mic in, 1 VGA, 1 HDMI, DC 9~36V, Phoenix Connector

# PPC-N153

## → Dimensions



Cut out : 346\*276 mm  
Thickness Limit : 7 mm

## → Specifications

Model		PPC-N153P-1A1	PPC-N153P-2A1	PPC-N153R-1A1	PPC-N153R-2A1
Processor System	CPU	Intel® Pentium® N4200	Intel® Celeron® N3350	Intel® Pentium® N4200	Intel® Celeron® N3350
	Frequency	Quad-Core up to 2.5GHz	Dual-Core up to 2.4GHz	Quad-Core up to 2.5GHz	Dual-Core up to 2.4GHz
	L2 Cache	2 MB			
	System Chipset	N/A			
	BIOS	UEFI			
Memory	Technology	DDR3L 1866 MHz SDRAM			
	Max. Capacity	8 GB			
	Socket	2 (204-pin SO-DIMM)			
Display	Panel Size	15" LED Panel			
	Resolution	1024 x 768 (XGA)			
	Viewing Angle	80 x 80 (H) x 80 x 80 (V)			
	Brightness	300 (cd/m2)			
	Color Support	16.7M			
	Contrast Ratio	600:1			
	Response Time	8 (msec)			
	VGA	VGA, 1920 x 1200 @ 60Hz			
	HDMI	HDMI 1.4b, 1920 x 1200 @ 60Hz			
	Multi Display	LCD + VGA or LCD + HDMI			
	Touchscreen	Touchscreen Type	Projected Capacitive		5-Wire Resistive
Surface Hardness		7 Mohs		3 Mohs	
Durability		-		36 millions times	
Transparency		90% (±3%)		80% (±3%)	
I/O Interface	USB	2 USB 3.0, 2 USB 2.0			
	Serial Port	4 COM (3 RS-232, 1 RS-232/422/485)			
	Digital I/O	8-pin Digital I/O (DB-15 connector)			
	Expansion	1 miniPCIe full Size with SIM			
Ethernet	Controller	Dual GbE, 10/100/1000 Mbps (Intel i211AT)			
Audio	Chipset	Realtek High Definition Audio (HD)			
	Connector	Line out			
Storage	M.2	Supports 1 M.2 B/M Key 2242			
	SATA III	1 Internal 2.5" SSD, Swappable HDD Box (Option)			
Power	Power Adaptor	Supports 9-36 V DC input			
	Connetor Type	2-pin Terminal Block			
	Power Consumption (Typical)	1.2A @ 12V (13.44 W)			
	Power Consumption (Max)	1.33A @ 12V (16.05 W)			
	Battery	Lithium 3V / 210 mAh			
Environment	Operating Temperature	-20~60° C (-4~140° F) w/ Extended Operation Temp. RAM & 2.5" SSD			
	Storage Temperature	-30~70° C			
	Humidity	5~95% @ 40° C, non-condensing			
	Vibration	IEC 60068-2-64: 1.5Grms, random, 5~500 Hz, 1hr/axis			
	Certification	CE,FCC Class A			
General	Ingress Protection	Aluminum Front Cover IP66 Protection			
	Dimensions (L x W x H)	386 x 316 x 69 mm (15.19" x 12.44" x 2.71")			
	Weight	4.2 kg (9.25lb)			
	Operating System	Windows 10 IoT			